

Accessories

TX



For the reduction of air-regenerated noise of air terminal units Type TVJ, TVT or EN

Rectangular secondary silencer to reduce air-regenerated noise, suitable for air terminal units type TVJ, TVT and EN

- Sound absorption material made of non-combustible mineral wool with RAL quality mark, non-hazardous to health due to high biosolubility in accordance with the German Hazardous Substances Ordinance and Note Q of the European Regulation (EC) No. 1272/2008
- Mineral wool faced with glass fibre fabric as a protection against erosion, effective with airflow velocities up to 20 m/s
- Insertion loss measured according to ISO 7235.
- Casing air leakage according to EN 15727, class C

| | | | |
|---------------------|---|-----------------------|---|
| General information | 2 | Dimensions and weight | 5 |
| Specification text | 3 | Explanation | 7 |
| Order code | 4 | | |

General information

Application

- Secondary silencer Type TX to reduce the air-regenerated noise of air terminal units
- For air terminal units TVJ and TVT, and for mechanical self-powered controllers EN

Nominal sizes

- 43 nominal sizes from 200 × 100 to 1000 × 1000

Nominal sizes

- 43 nominal sizes from 200 × 100 to 1000 × 1000

Construction features

- Absorption sound attenuator without resonating panels
- Rectangular casing
- Air duct profile 30 mm with butyl seal
- Splitters with aerodynamically profiled frame
- Maximum splitter thickness 100 mm
- Splitter arrangement and number depending on nominal size
- 50 % free cross-section for all nominal sizes

Material and surfaces

- Casing and splitter frames made of galvanised sheet steel
 - Sound absorbing material is mineral wool
- Mineral wool
- According to EN 13501, fire rating class A1, non-combustible
 - RAL quality mark RAL-GZ 388
 - Non-hazardous thanks to high biosolubility according to the German Ordinance on Hazardous Substances and Note Q of the European Regulation (EC) No. 1272/2008
 - Faced with glass fibre fabric as a protection against erosion from airflow velocities of up to 20 m/s
 - Inert to fungal and bacterial growth

Parts and characteristics

- Casing
- Sound attenuator splitters without resonating panels

Maintenance

- Maintenance-free, as construction and materials are not subject to wear and tear

Specification text

This specification text describes the general properties of the product. Texts for variants can be generated with our Easy Product Finder design programme.

Rectangular secondary silencers for VAV terminal units to reduce the air-regenerated noise, available in 43 nominal sizes

Insertion loss at least 9 dB at 250 Hz

Splitters with aerodynamically profiled frames.

Connecting flanges on both ends, suitable for 30 mm duct connection

Casing air leakage to EN 15727, class A.

Complies with VDI 2083, clean room class 3, and US standard 209E, class 100.

Materials and surfaces

- Casing and splitter frames made of galvanised sheet steel

- Sound absorbing material is mineral wool

Mineral wool

- According to EN 13501, fire rating class A1, non-combustible
- RAL quality mark RAL-GZ 388
- Non-hazardous thanks to high biosolubility according to the German Ordinance on Hazardous Substances and Note Q of the European Regulation (EC) No. 1272/2008
- Faced with glass fibre fabric as a protection against erosion from airflow velocities of up to 20 m/s
- Inert to fungal and bacterial growth



Order code

TX / 600 × 400

| |
1 2

1 Type

TX Secondary silencer

2 Nominal size [mm]

Specify width × height

Order example: TX/600×400

Type

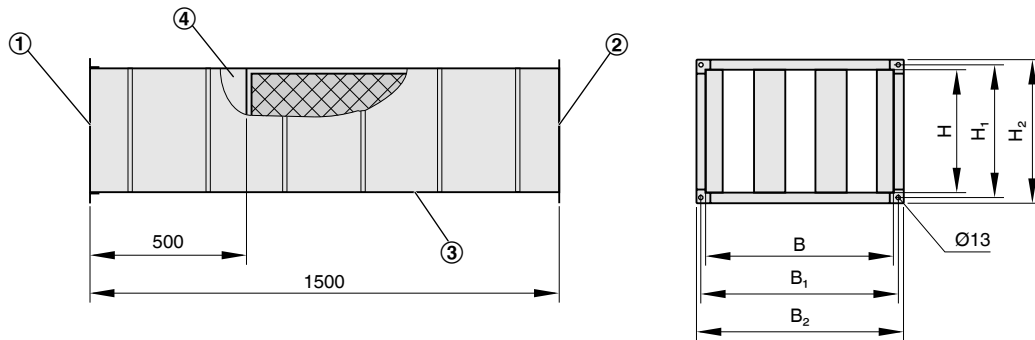
TX Secondary silencer

Nominal size [mm]

Width 600, height 400

Dimensions and weight

TX



- 1 On the unit side
- 2 On the room side
- 3 Splitter section
- 4 Non-active section

Dimensions/weights for TX

| NS | B | H | B ₁ | B ₂ | H ₁ | H ₂ | m [kg] |
|------------|------|-----|----------------|----------------|----------------|----------------|--------|
| 200 × 100 | 200 | 100 | 235 | 260 | 135 | 160 | 10 |
| 300 × 100 | 300 | 100 | 335 | 360 | 135 | 160 | 12 |
| 400 × 100 | 400 | 100 | 435 | 460 | 135 | 160 | 15 |
| 500 × 100 | 500 | 100 | 535 | 560 | 135 | 160 | 17 |
| 600 × 100 | 600 | 100 | 635 | 660 | 135 | 160 | 20 |
| 300 × 150 | 300 | 150 | 335 | 360 | 185 | 210 | 15 |
| 200 × 200 | 200 | 200 | 235 | 260 | 235 | 260 | 16 |
| 300 × 200 | 300 | 200 | 335 | 360 | 235 | 260 | 20 |
| 400 × 200 | 400 | 200 | 435 | 460 | 235 | 260 | 25 |
| 500 × 200 | 500 | 200 | 535 | 560 | 235 | 260 | 29 |
| 600 × 200 | 600 | 200 | 635 | 660 | 235 | 260 | 34 |
| 700 × 200 | 700 | 200 | 735 | 760 | 235 | 260 | 39 |
| 800 × 200 | 800 | 200 | 835 | 860 | 235 | 260 | 44 |
| 400 × 250 | 400 | 250 | 435 | 460 | 285 | 310 | 27 |
| 500 × 250 | 500 | 250 | 535 | 560 | 285 | 310 | 30 |
| 600 × 250 | 600 | 250 | 635 | 660 | 285 | 310 | 36 |
| 300 × 300 | 300 | 300 | 335 | 360 | 335 | 360 | 24 |
| 400 × 300 | 400 | 300 | 435 | 460 | 335 | 360 | 29 |
| 500 × 300 | 500 | 300 | 535 | 560 | 335 | 360 | 34 |
| 600 × 300 | 600 | 300 | 635 | 660 | 335 | 360 | 40 |
| 700 × 300 | 700 | 300 | 735 | 760 | 335 | 360 | 45 |
| 800 × 300 | 800 | 300 | 835 | 860 | 335 | 360 | 50 |
| 900 × 300 | 900 | 300 | 935 | 960 | 335 | 360 | 55 |
| 1000 × 300 | 1000 | 300 | 1035 | 1060 | 335 | 360 | 60 |
| 400 × 400 | 400 | 400 | 435 | 460 | 435 | 460 | 34 |
| 500 × 400 | 500 | 400 | 535 | 560 | 435 | 460 | 39 |
| 600 × 400 | 600 | 400 | 635 | 660 | 435 | 460 | 45 |
| 700 × 400 | 700 | 400 | 735 | 760 | 435 | 460 | 50 |
| 800 × 400 | 800 | 400 | 835 | 860 | 435 | 460 | 56 |
| 900 × 400 | 900 | 400 | 935 | 960 | 435 | 460 | 61 |
| 1000 × 400 | 1000 | 400 | 1035 | 1060 | 435 | 460 | 67 |
| 500 × 500 | 500 | 500 | 535 | 560 | 535 | 560 | 45 |
| 600 × 500 | 600 | 500 | 635 | 660 | 535 | 560 | 50 |
| 700 × 500 | 700 | 500 | 735 | 760 | 535 | 560 | 56 |



| NS | B | H | B ₁ | B ₂ | H ₁ | H ₂ | m [kg] |
|-------------|------|------|----------------|----------------|----------------|----------------|--------|
| 800 × 500 | 800 | 500 | 835 | 860 | 535 | 560 | 62 |
| 900 × 500 | 900 | 500 | 935 | 960 | 535 | 560 | 68 |
| 1000 × 500 | 1000 | 500 | 1035 | 1060 | 535 | 560 | 73 |
| 600 × 600 | 600 | 600 | 635 | 660 | 635 | 660 | 55 |
| 800 × 600 | 800 | 600 | 835 | 860 | 635 | 660 | 67 |
| 1000 × 600 | 1000 | 600 | 1035 | 1060 | 635 | 660 | 80 |
| 800 × 800 | 800 | 800 | 835 | 860 | 835 | 860 | 79 |
| 1000 × 800 | 1000 | 800 | 1035 | 1060 | 835 | 860 | 93 |
| 1000 × 1000 | 1000 | 1000 | 1035 | 1060 | 1035 | 1060 | 107 |



Explanation

NS [mm]; [in]
Nominal size

B [mm]
Duct width

B₁ [mm]
Screw hole pitch of flange (horizontal)

B₂ [mm]
Outside dimension of flange (width)

H [mm]
Duct height

H₁ [mm]
Screw hole pitch of flange (vertical)

H₂ [mm]
Outside dimension of flange (height)

m [kg]
Unit weight including the minimum required attachments (e.g. Compact controller)

Lengths [mm]; [in]
All lengths are given in millimetres [mm] unless stated otherwise.