

Accessories

Installation subframes for external weather louvres



For the fast and simple installation of external weather louvres

Installation subframes for the fast and precise installation of external weather louvres
Installation subframes with fixing tabs are mortared into the wall opening, then the external weather louvres are fastened to the subframes

- Angle sections made of galvanised steel or stainless steel
- Fixing tabs with integral nuts to screw on the external weather louvre
- Subframe for external weather louvres of Type WGK, shipped as individual frame sections with tongue joints

Optional equipment and accessories

- Multi-section constructions, with width or height subdivided

Type		Page
Installation subframes for external weather louvres	General information	ER – 2
	Variants	ER – 3
	Installation details	ER – 5

Application**Application**

- For the installation of louvres in walls
- Simplified installation

- The installation subframe allows for the fast, simple and precise installation of louvres

Description**Parts and characteristics**

- Installation subframe consisting of angle sections
- Hexagon head screws
- Washers
- Fixing tabs with integral nuts

WG-A2

- Installation subframe made of stainless steel, material no. 1.4301
- Welded fixing tabs with integral nuts, screws and washers made of stainless steel, material no. 1.4301

Materials and surfaces

WG, WG-AL, WG-JZ, WG-AL-JZ, WG-KUL, WG-AL-KUL

- Installation subframe made of galvanised steel (angle section 35 × 35 × 3 mm)
- Welded fixing tabs with integral nuts, screws and washers made of galvanised steel

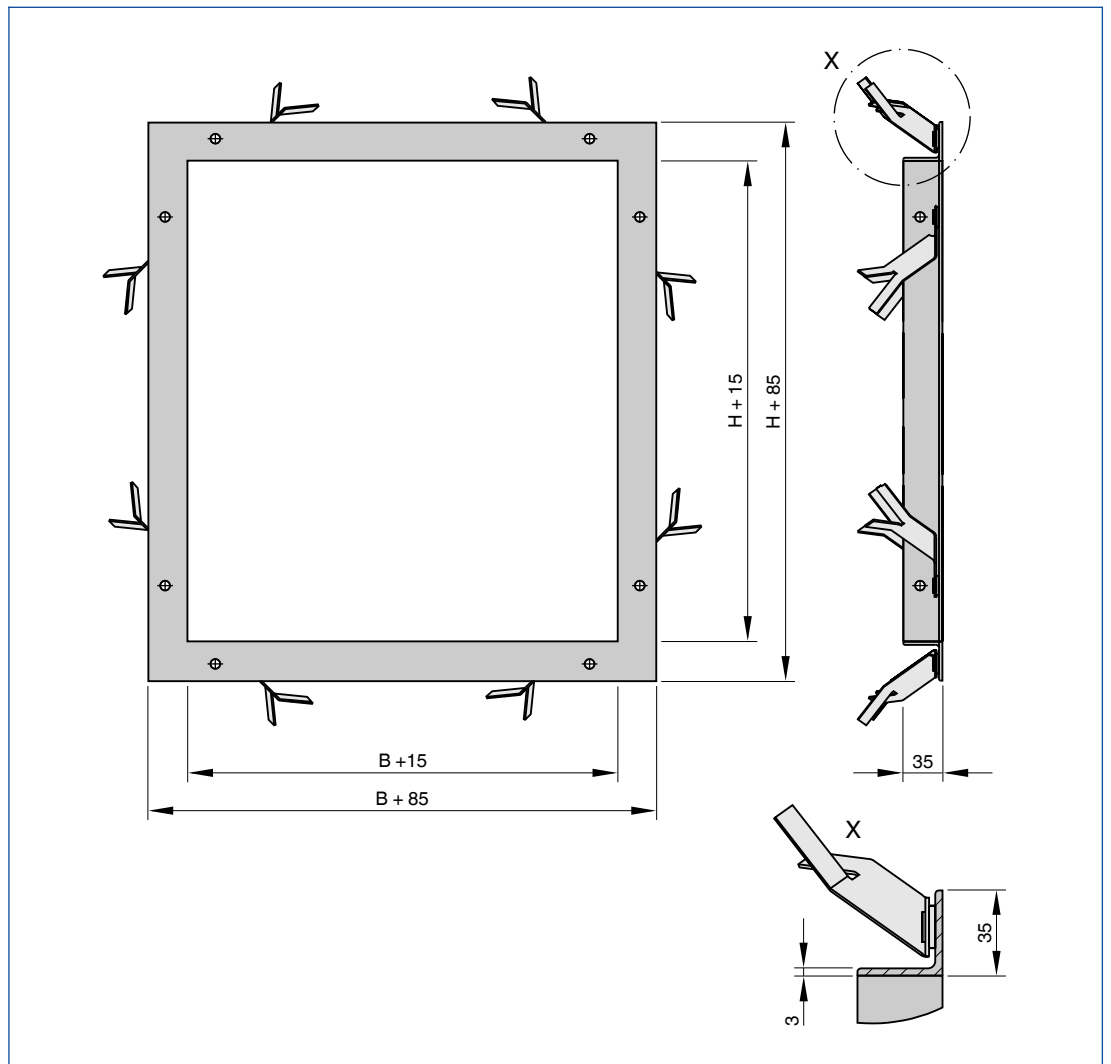
WGK

- Installation subframes, made of formed galvanised sheet steel, with fixing tabs
- Screws and washers made of galvanised steel

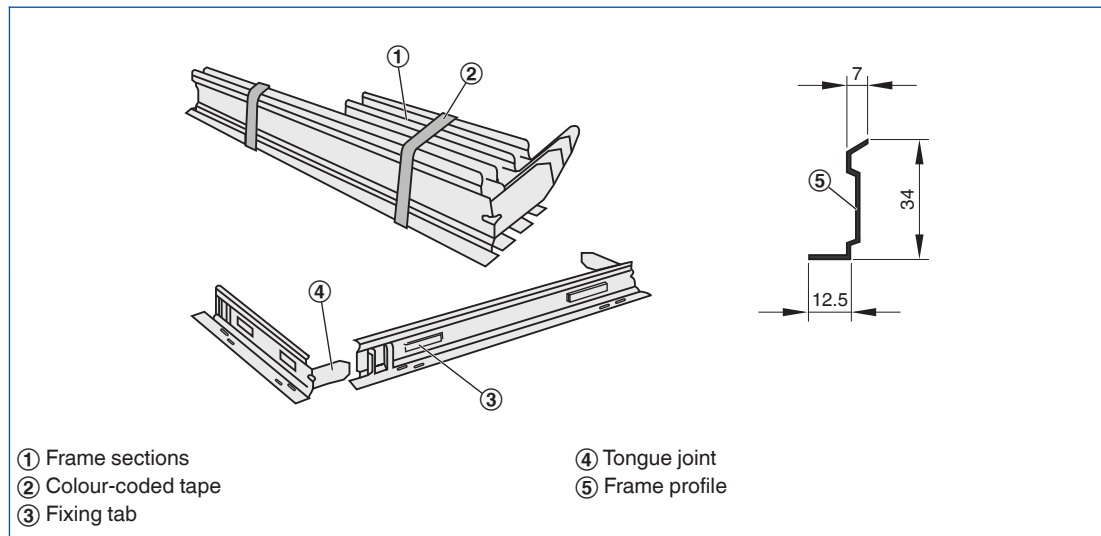
Installation subframe for external weather louvres

Description	External weather louvre (Type)
Galvanised steel	WG, WG-AL, WG-JZ, WG-AL-JZ, WG-KUL, WG-AL-KUL
Galvanised steel, width subdivided	WG, WG-AL
Galvanised steel, height subdivided	WG, WG-AL
Galvanised steel, horizontal runs	WG-B-AL
Stainless steel	WG-A2
Stainless steel, width subdivided	WG-A2
Stainless steel, height subdivided	WG-A2
Galvanised steel	WGK

Installation subframe, made of steel, for external weather louvres



Installation subframe ER 12.5 for ventilation grilles and WGK external weather louvres



Note: transparent tape

Materials

Part	Type or variant of external weather louvre	Material	Notes
Installation subframe	WG, WG-AL, WG-JZ, WG-AL-JZ, WG-KUL, WG-AL-KUL	Galvanised steel	Angle section 35 × 35 × 3 mm
Installation subframe	WG-A2	Stainless steel, material no. 1.4301	
Installation subframe	WGK	Galvanised steel	
Fixing tabs, screws, nuts and washers	WG, WG-AL, WG-JZ, WG-AL-JZ, WG-KUL, WG-AL-KUL	Galvanised steel	Welded fixing tabs
Fixing tabs, screws, nuts and washers	WG-A2	Stainless steel, material no. 1.4301	Welded fixing tabs
Screws and washers	WGK	Galvanised steel	

Installation and commissioning

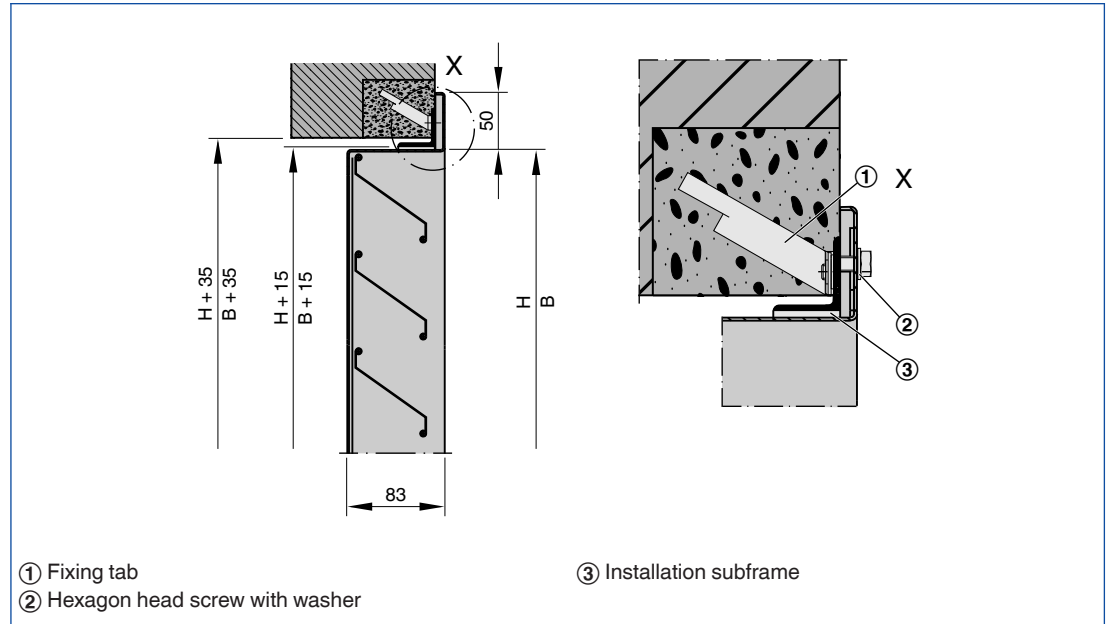
Before mortaring in the installation subframe

- Bend and spread the fixing tabs

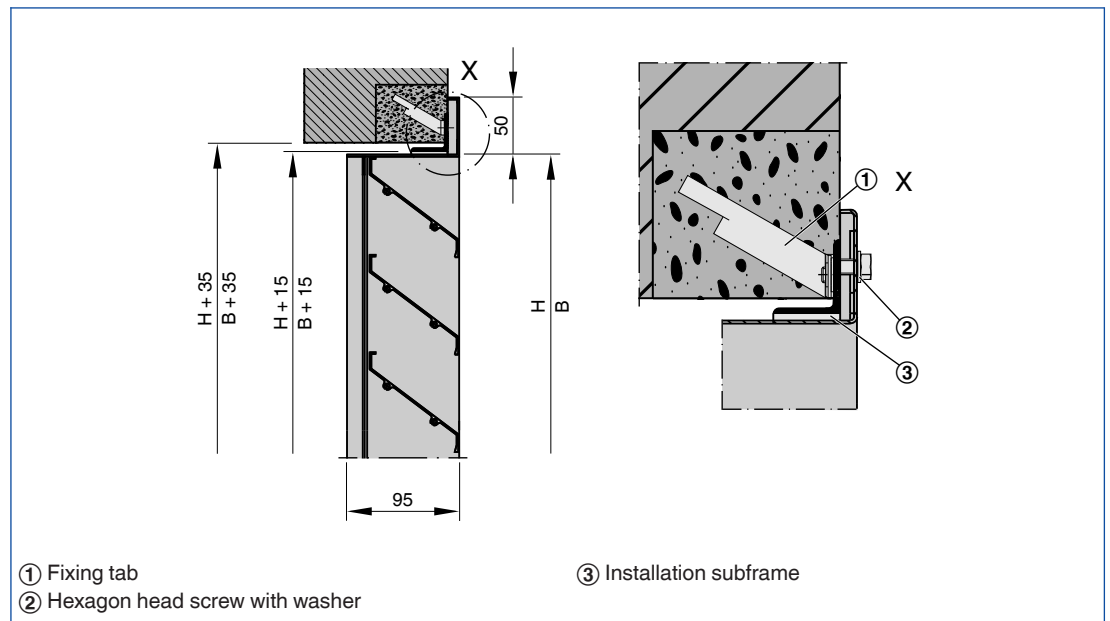
After mortaring in the installation subframe

- Align the louvre with the installation subframe and fasten it

Installation dimensions – WG, WG-A2

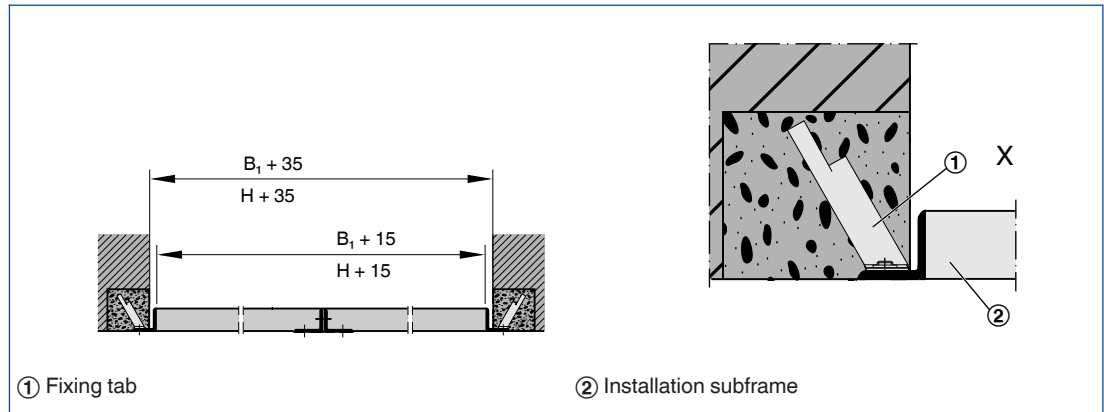


Installation dimensions – WG-AL

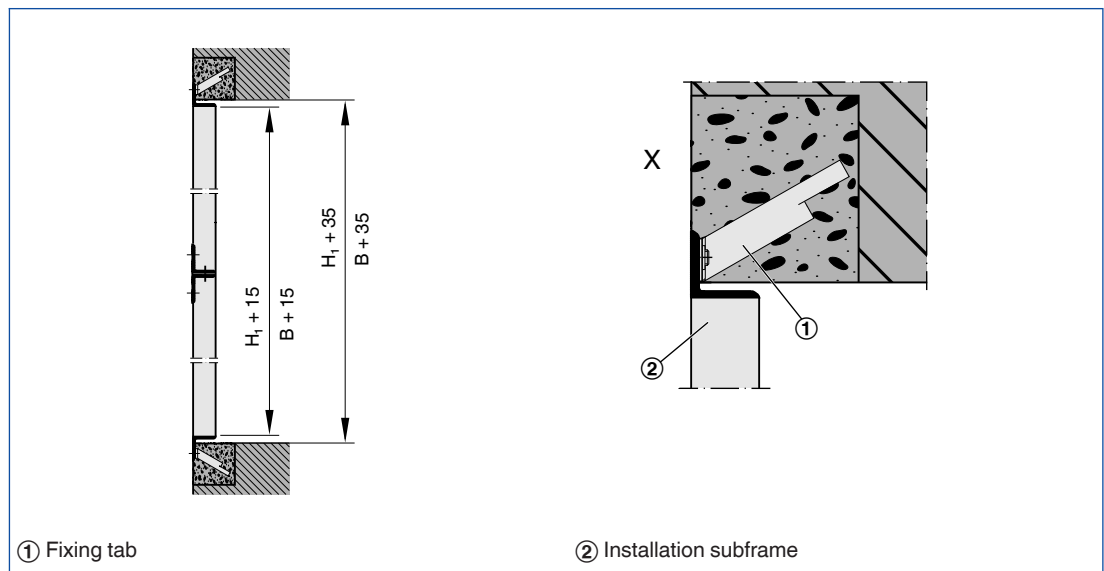


Installation subframes for external weather louvres

Installation subframe, width subdivided

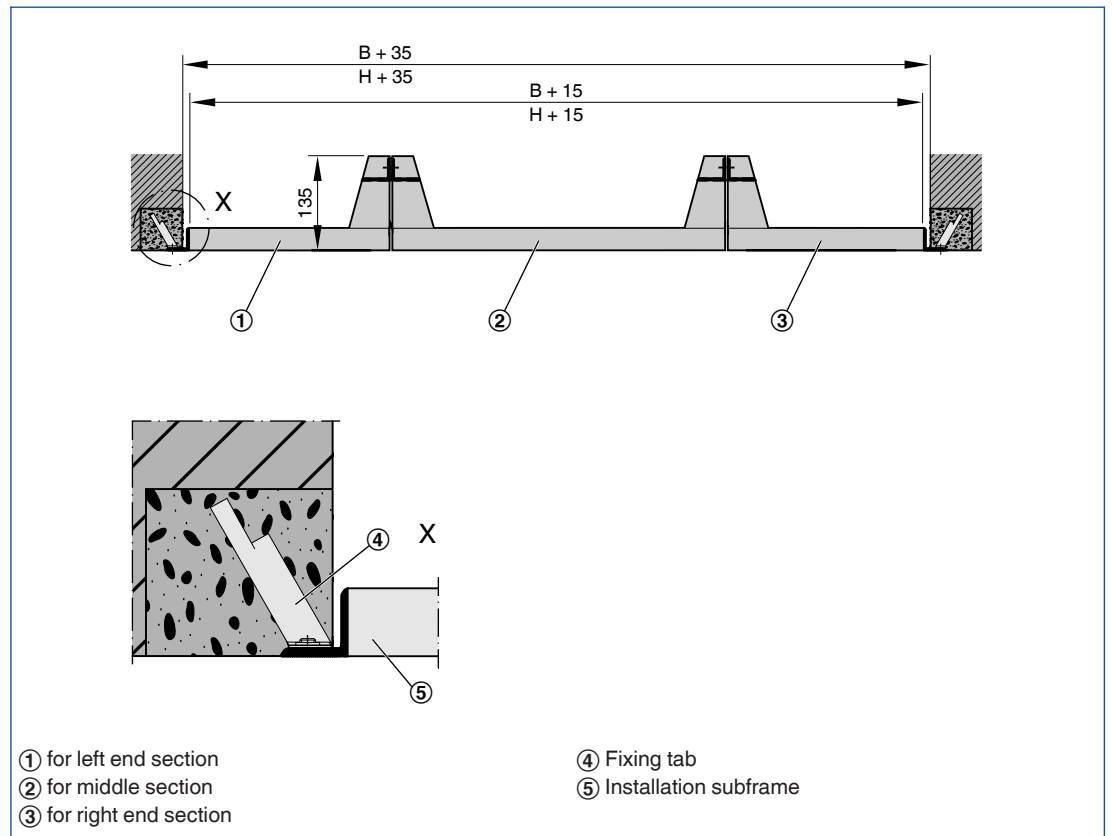


Installation subframe, height subdivided

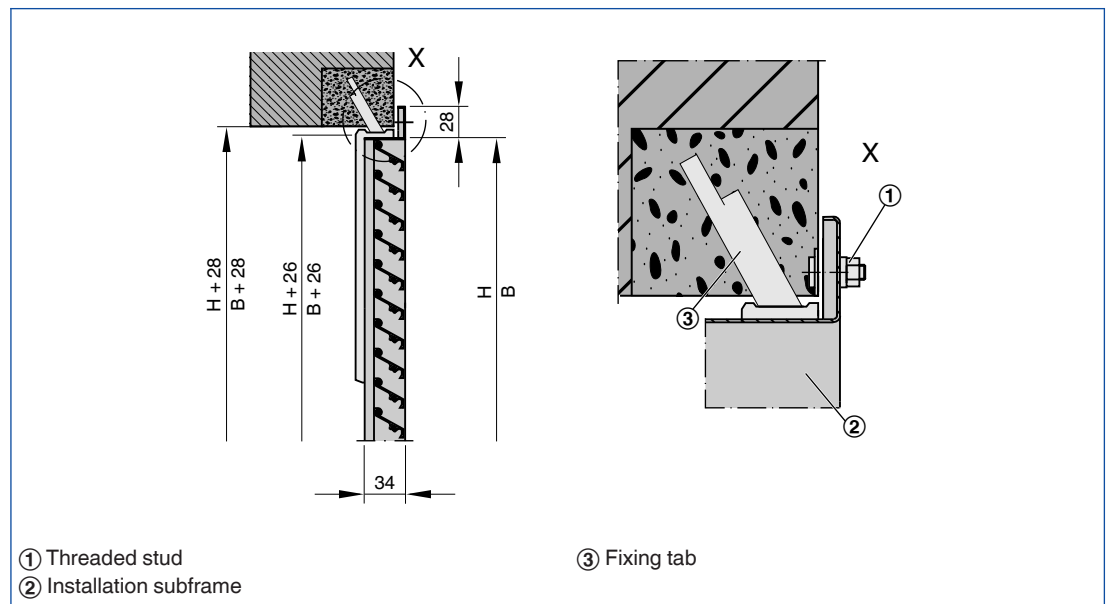


Installation subframes for external weather louvres

Horizontal runs of WG-B-AL



Installation dimensions – WGK



Installation subframes for external weather louvres

Installation dimensions – WG-JZ-P, WG-JZ-S, WG-AL-JZ-P, WG-AL-JZ-S

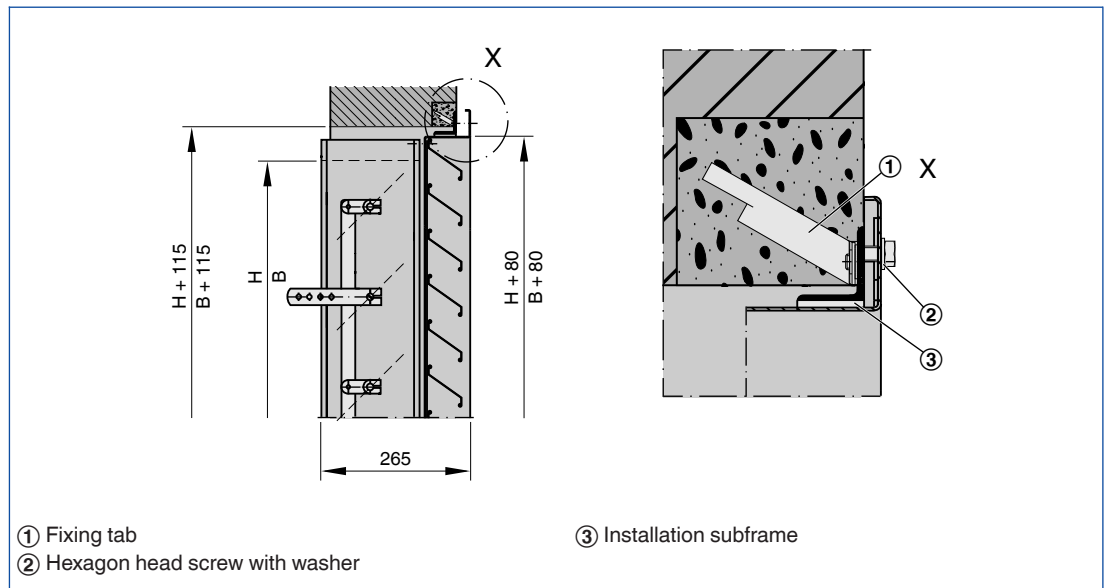


Illustration shows WG-J-P/.../ER

Wall installation without installation subframe

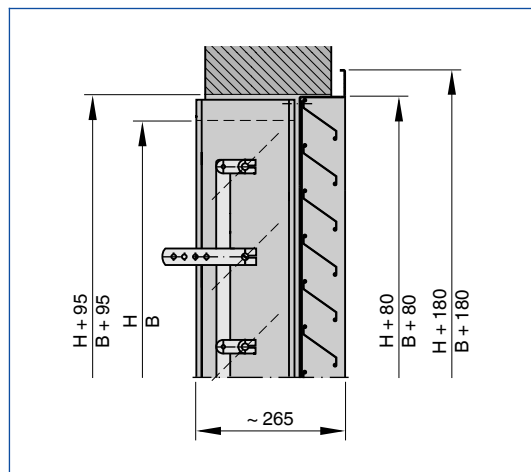


Illustration shows WG-JZ-P, operating side on the right

Installation subframes for external weather louvres

Installation dimensions – WG-KUL-1, WG-KUL-2, WG-AL-KUL-1, WG-AL-KUL-2

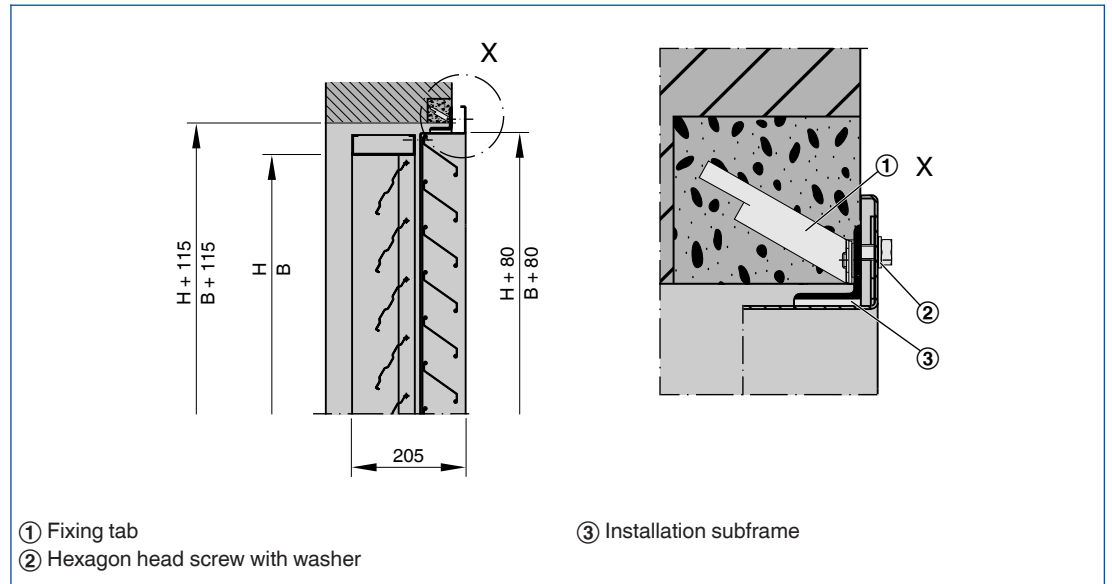


Illustration shows WG-KUL-1/.../ER

Wall installation without installation subframe

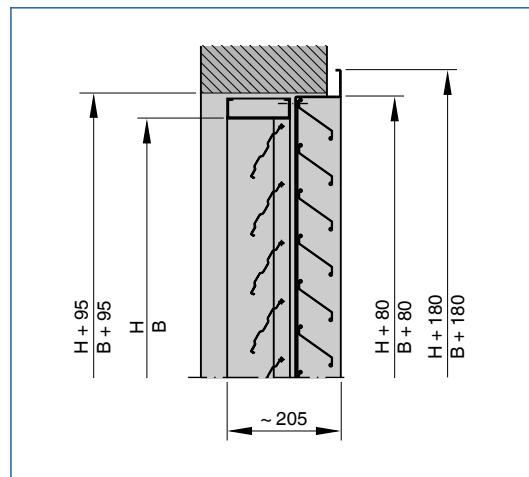


Illustration shows WG-KUL-1